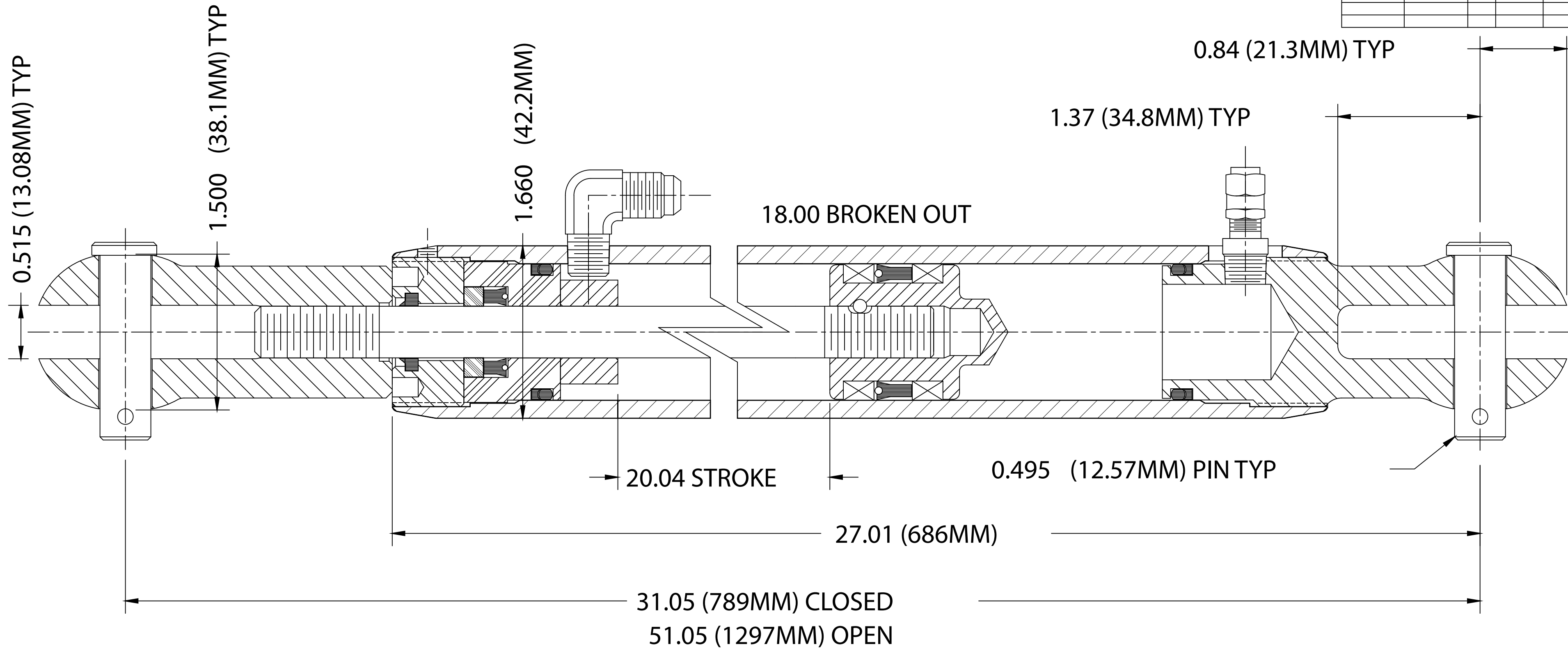


TOLERANCES: 0.XX = ±0.010"
 0.XXX = ±0.005"
 FRACTIONS = ±1/64"
 ANGLES = ±1/2°

REVISIONS				CHK
DATE	INIT.	#	ECO	INIT.



FLATTENING REEF STD CYL ASSY, -10		NAVTEC[®] HYDRAULICS	
05/12/95	SCALE: 1:1	DRAWN BY: KMK	
A250-FE-010		ENG: SPL	
		SHEET: 1 OF 1	
		X:\A\A250\FE-010.DWG	