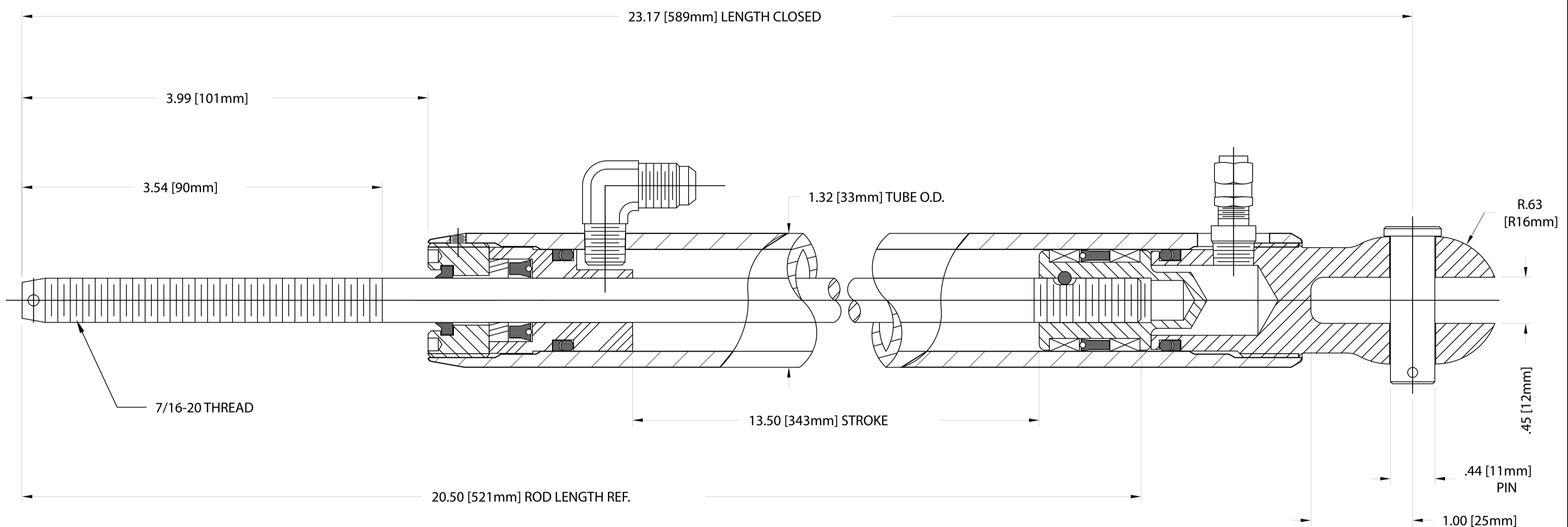


TOLERANCES: 0.XX = ±0.010"  
 0.XXX = ±0.005"  
 FRACTIONS = ±1/64"  
 ANGLES = ±1/2°

REVISIONS			CHK
DATE	INIT.	#	INIT.



CYL ASSY -06 LONG		<b>NAVTEC<sup>®</sup></b> <b>HYDRAULICS</b>	
10/07/98	SCALE: 1:1	DRAWN BY: KMK	
A250-LE-006		ENG: SPL	
		SHEET: 1 OF 1	
		X:\A\A250\ -LE-006.DWG	