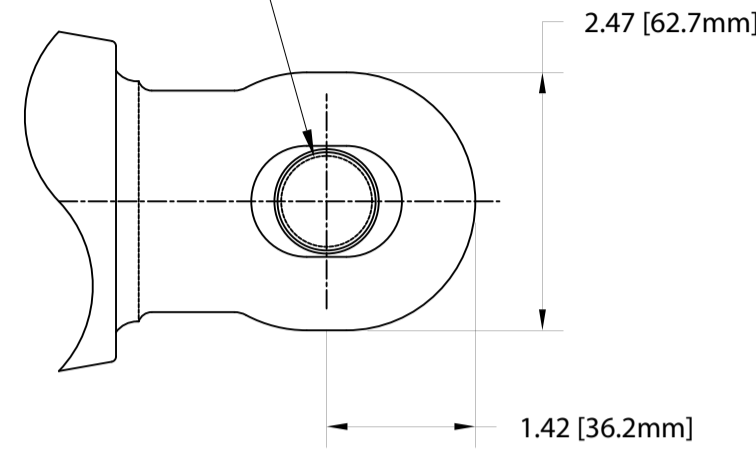


MAX PULL FORCE = 22,100LBS @5,000 PSI

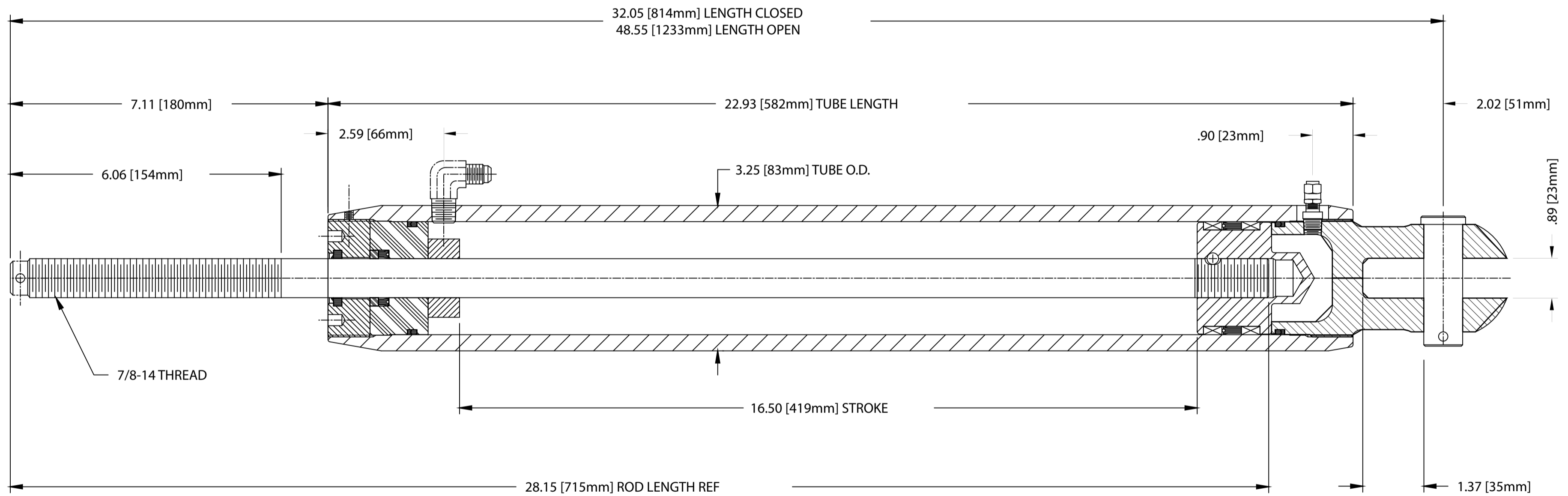
⚠️ ADDED FLATS TO CLEVIS & SHORTENED PIN

TOLERANCES: 0.XX = ±0.010"
 0.XXX = ±0.005"
 FRACTIONS = ±1/64"
 ANGLES = ±1/2°

PIN .870 [22.10mm]
 .865 [21.97mm]



REVISIONS				CHK
DATE	INIT.	#	ECD	INIT.
04/21/09	RFB	A		



LT CYL ASSY
 -30, LONG



05/20/97

SCALE: B- 1:2.5

DRAWN BY: KMK

ENG: SPL

A250-LE-030

SHEET: 1 OF 1

P:\A\A250\LE-030.DWG