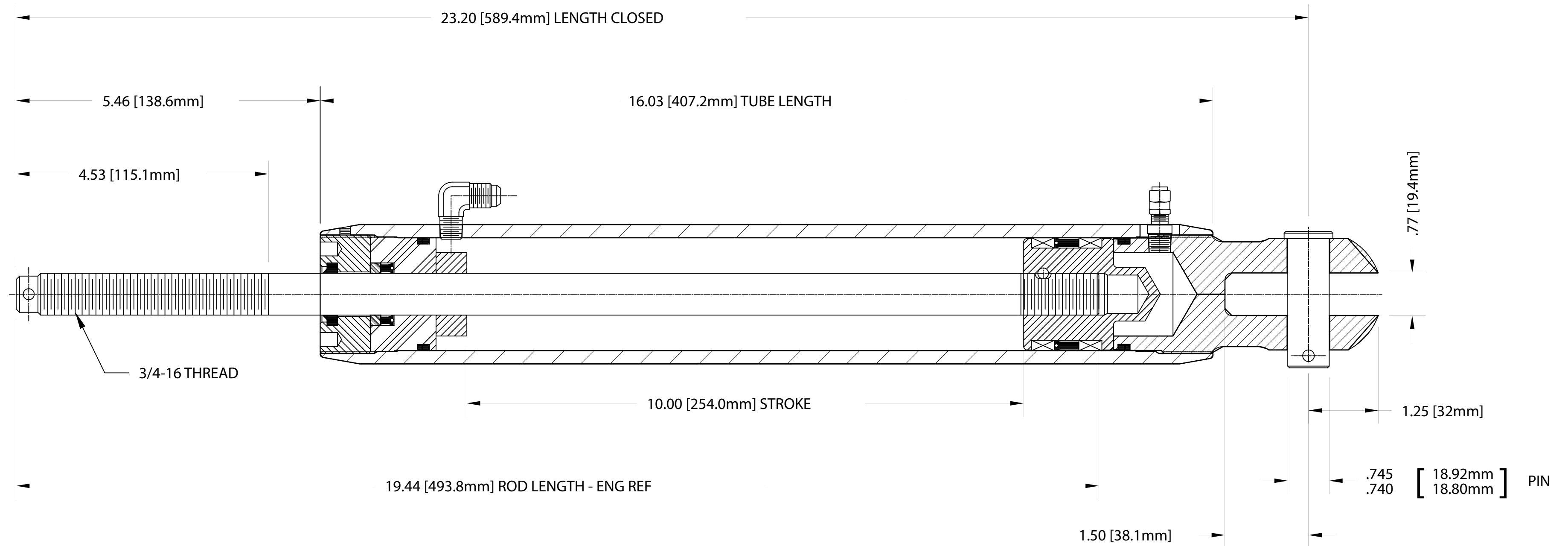


⚠️ ADDED FLATS TO CLEVIS & SHORTENED PIN

TOLERANCES: 0.XX = ±0.010"
 0.XXX = ±0.005"
 FRACTIONS = ±1/64"
 ANGLES = ±1/2°

REVISIONS				CHK
DATE	INIT.	#	ECO	INIT.
04/21/09	RFB	A		



STD LT CYL ASSY -22		NAVTEC[®] HYDRAULICS	
05/15/95	SCALE: 1/2	DRAWN BY: KMK	
A250-SE-022		ENG: SPL	
		SHEET: 1 OF 1	
		P:\A\A250\ -SE-022.DWG	