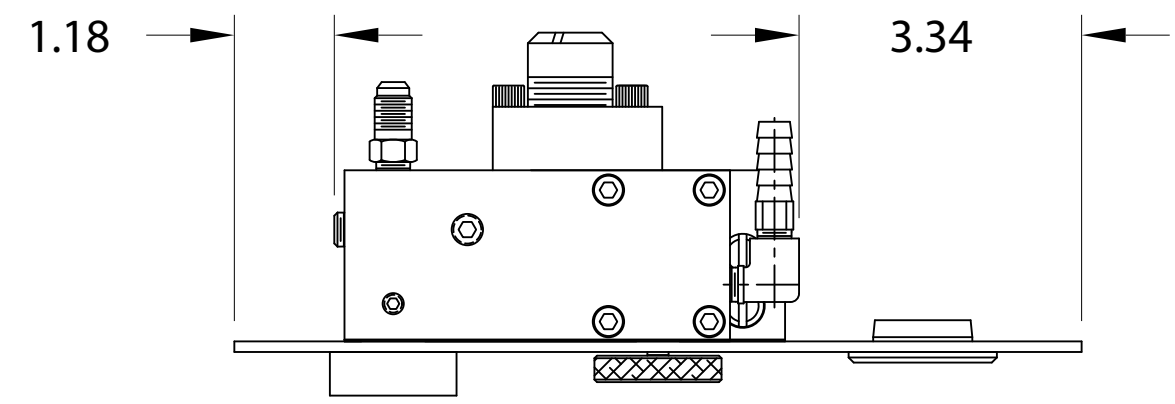
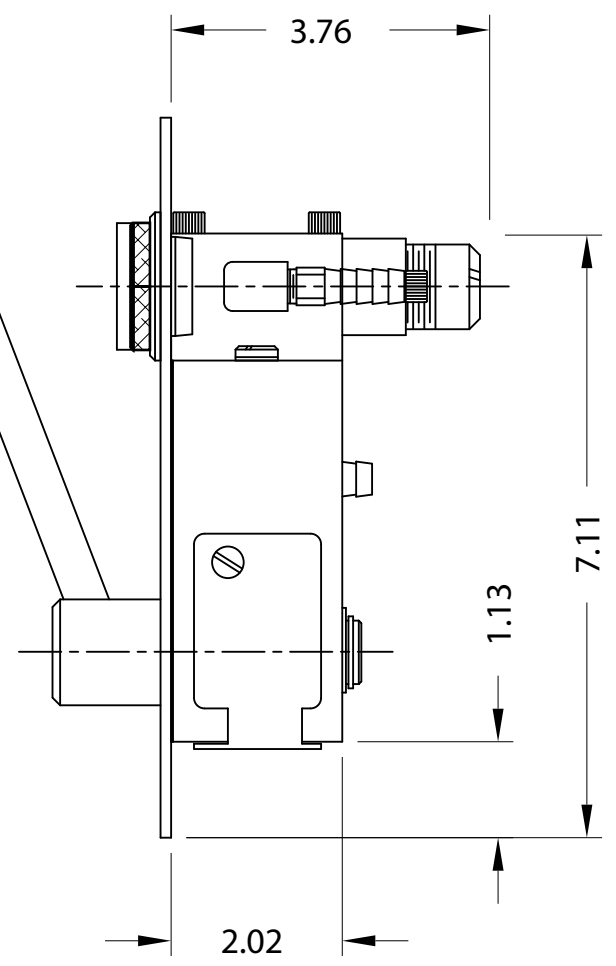


CUT-OUT DIMENSIONS



SYSTEM 50 PANEL ASSY, SNGL SP PUMP		NAVTEC[®] HYDRAULICS	
02/11/00	SCALE: A-1:4	DRAWN BY: RFB	
A320-SF-01		ENG: SPL	CHK:
		SHEET: 1 OF 1	
X:\A\A320\SF-01.DWG			

A-ENG