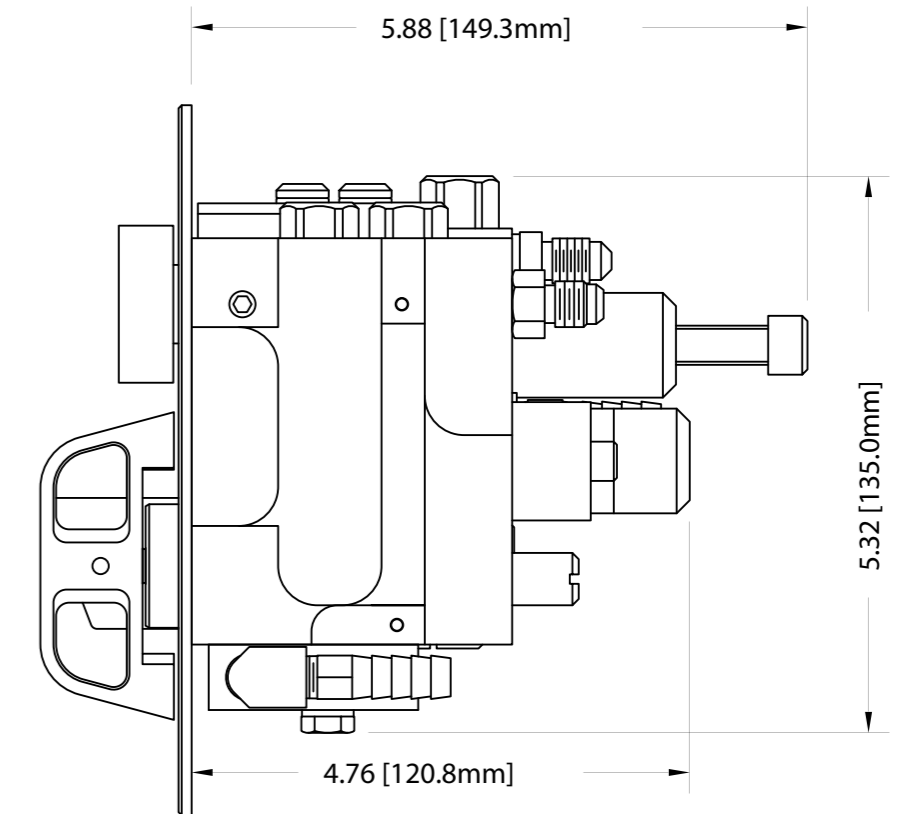
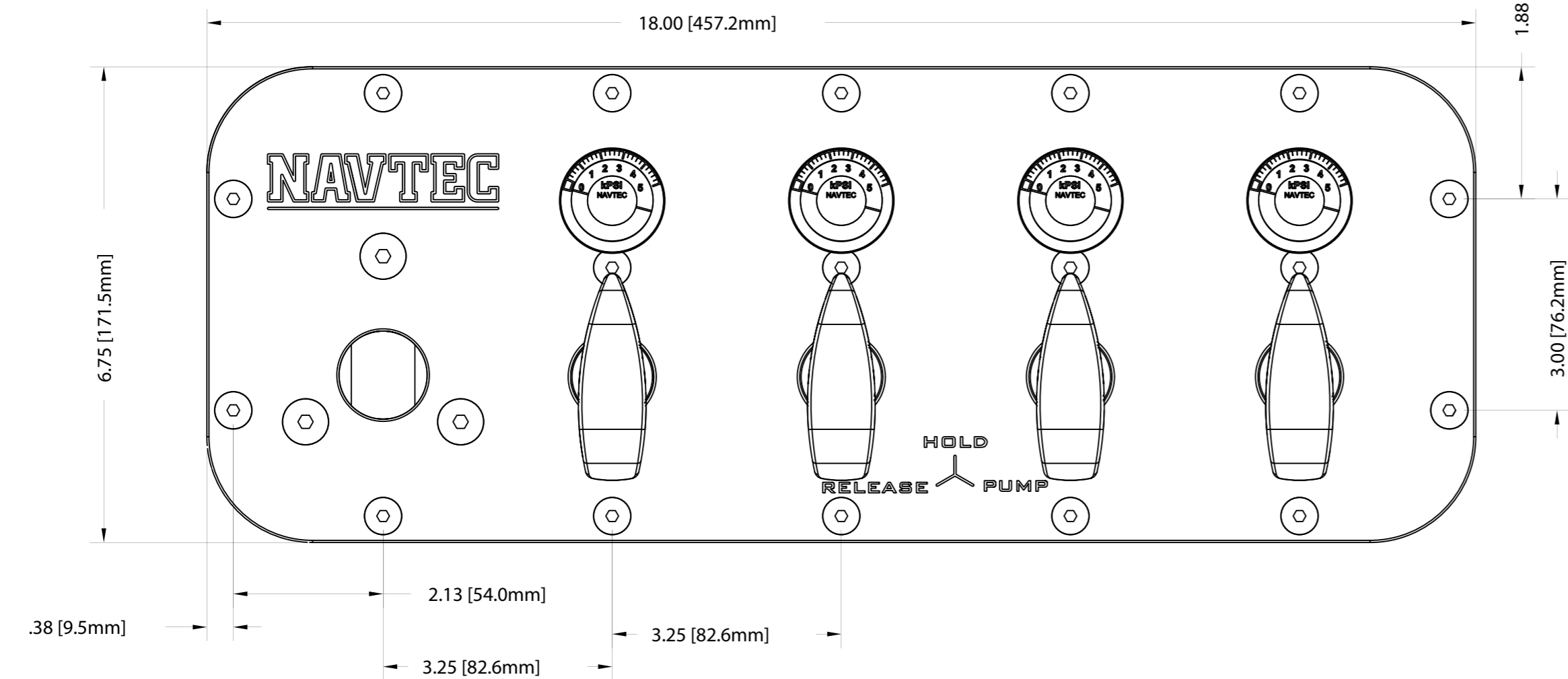
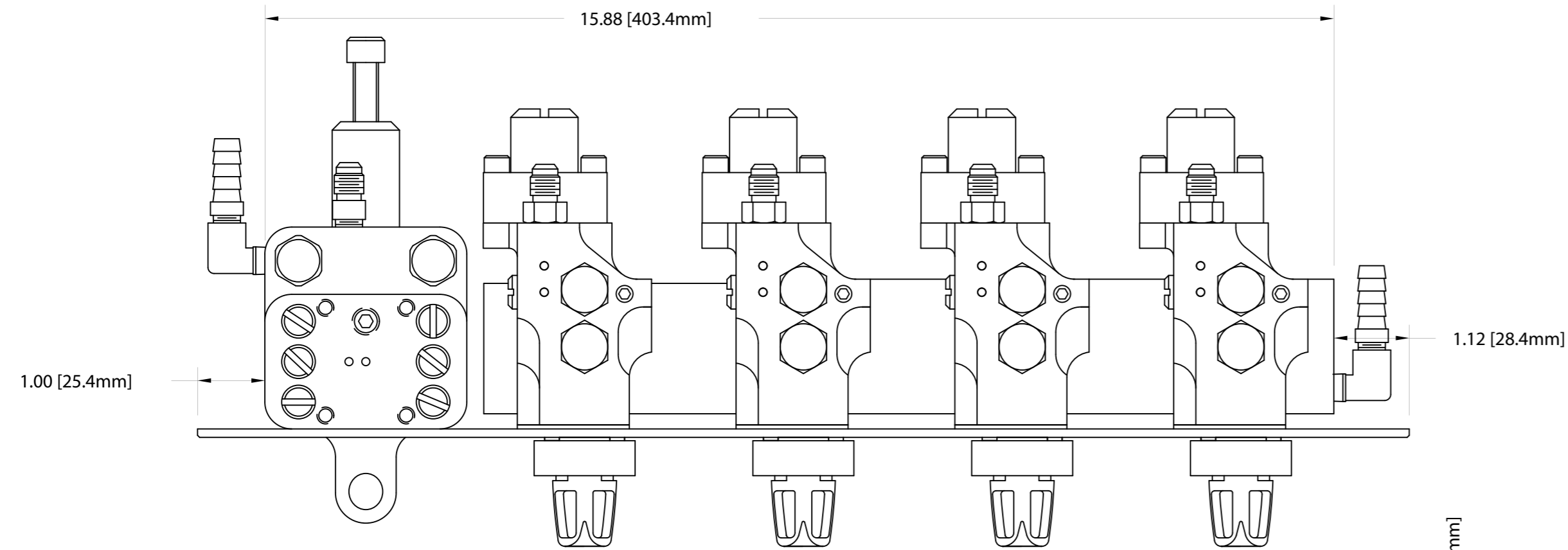


TOLERANCES:  
 0.XX = ±0.010  
 0.XXX = ±0.005  
 FRACTIONS = ±1/64  
 ANGLES = ±1/2°

REVISIONS				CHK
DATE	INIT.	#	ECO	INIT.



SYSTEM VIII PANEL ASSY  
 4 F, LH A/S PUMP



01/30/04

SCALE: B 1:2.5

DRAWN BY: SMM

ENG: SMM CHK:

A380-L00-04

SHEET: 1 OF 1

X:\PVA\A380\L00-04

B-ENG

Any designs or drawings produced by Navtec Inc. and transmitted to a second party are the property of Navtec Inc. and are to be considered confidential and are to be used only for the purpose for which they were transmitted.