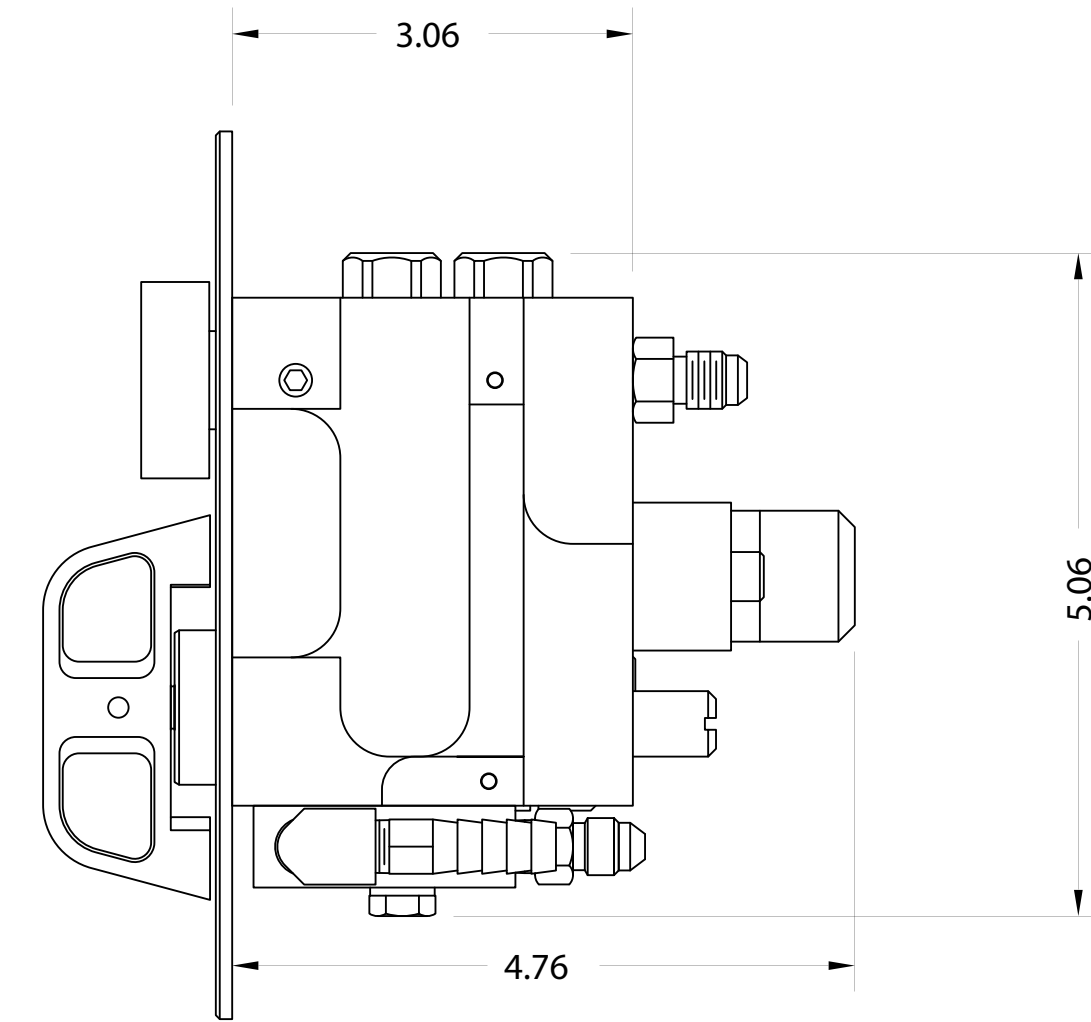
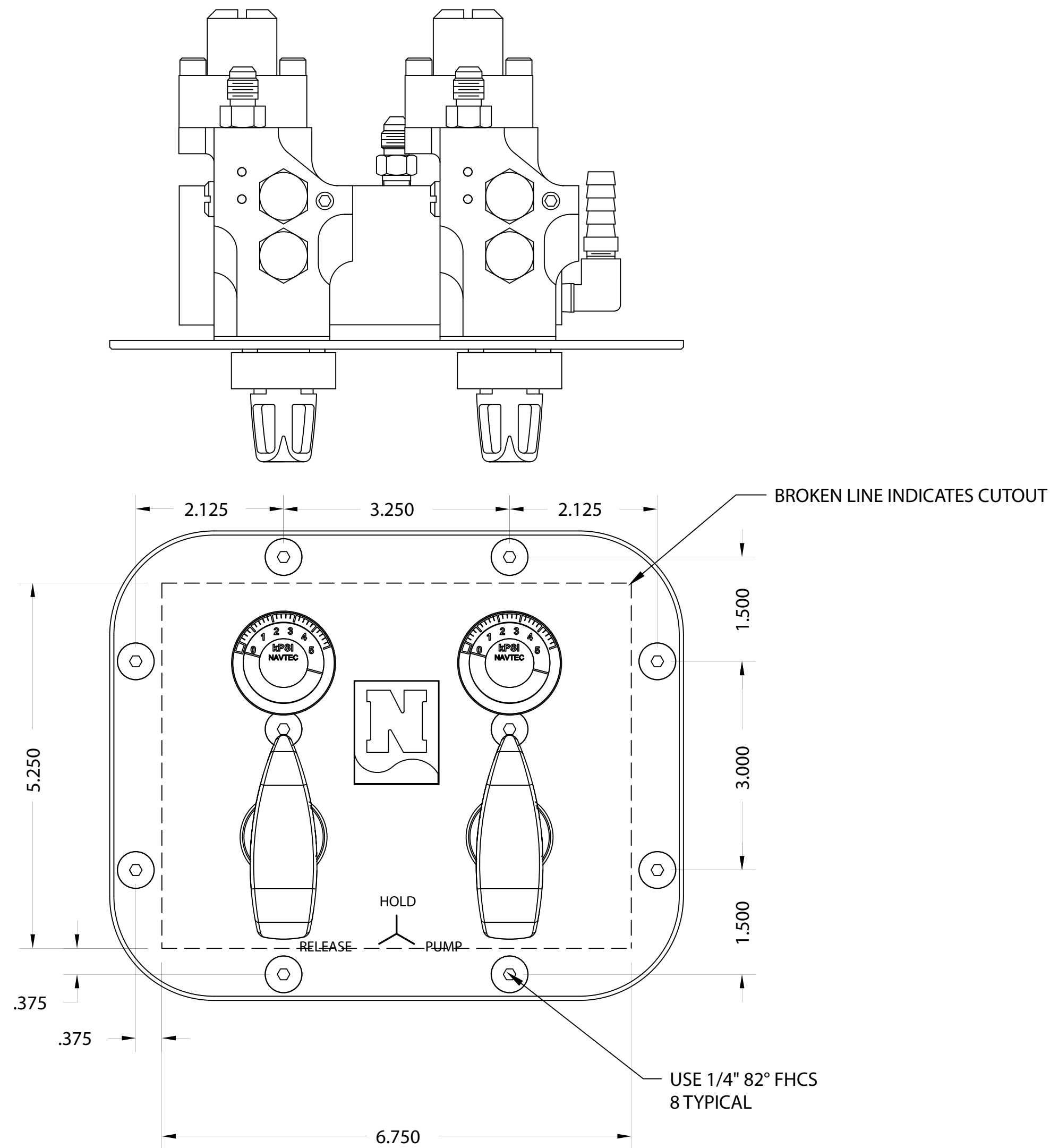


TOLERANCES:  
 0.XX = ±0.010  
 0.XXX = ±0.005  
 FRACTIONS = ±1/64  
 ANGLES = ±1/2°

REVISIONS				CHK
DATE	INIT.	#	ECO	INIT.



SYSTEM VIII PANEL ASSY  
 2 F, NO PUMP, INS

**NAVTEC<sup>®</sup>**  
**HYDRAULICS**

08/05/04

SCALE: B 1:2

DRAWN BY: SMM

ENG: SMM | CHK:

SHEET: 1 OF 1

X:\PVA\A380-VGM-03

**A380-VGM-02**

B-ENG

Any designs or drawings produced by Navtec Inc. and transmitted to a second party are the property of Navtec Inc. and are to be considered confidential and are to be used only for the purpose for which they were transmitted.