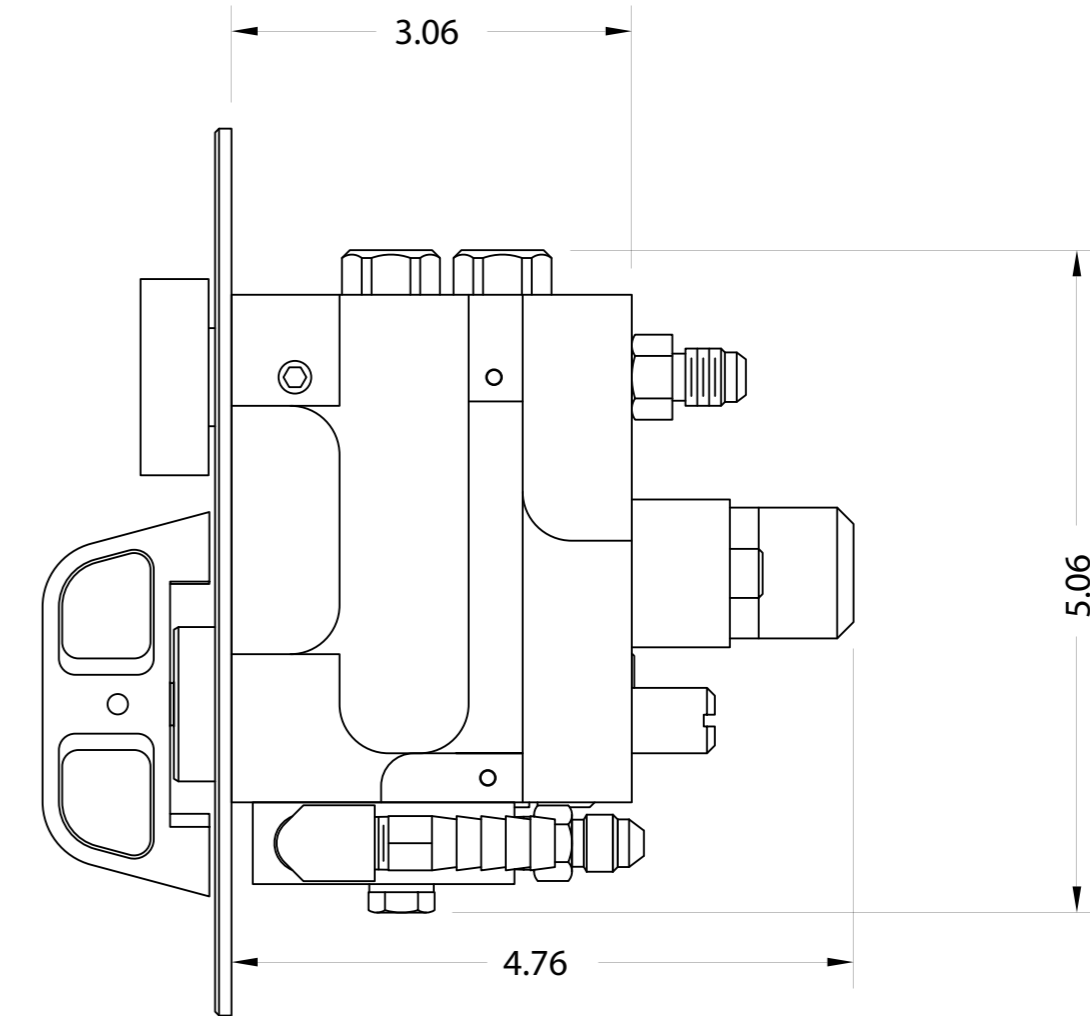
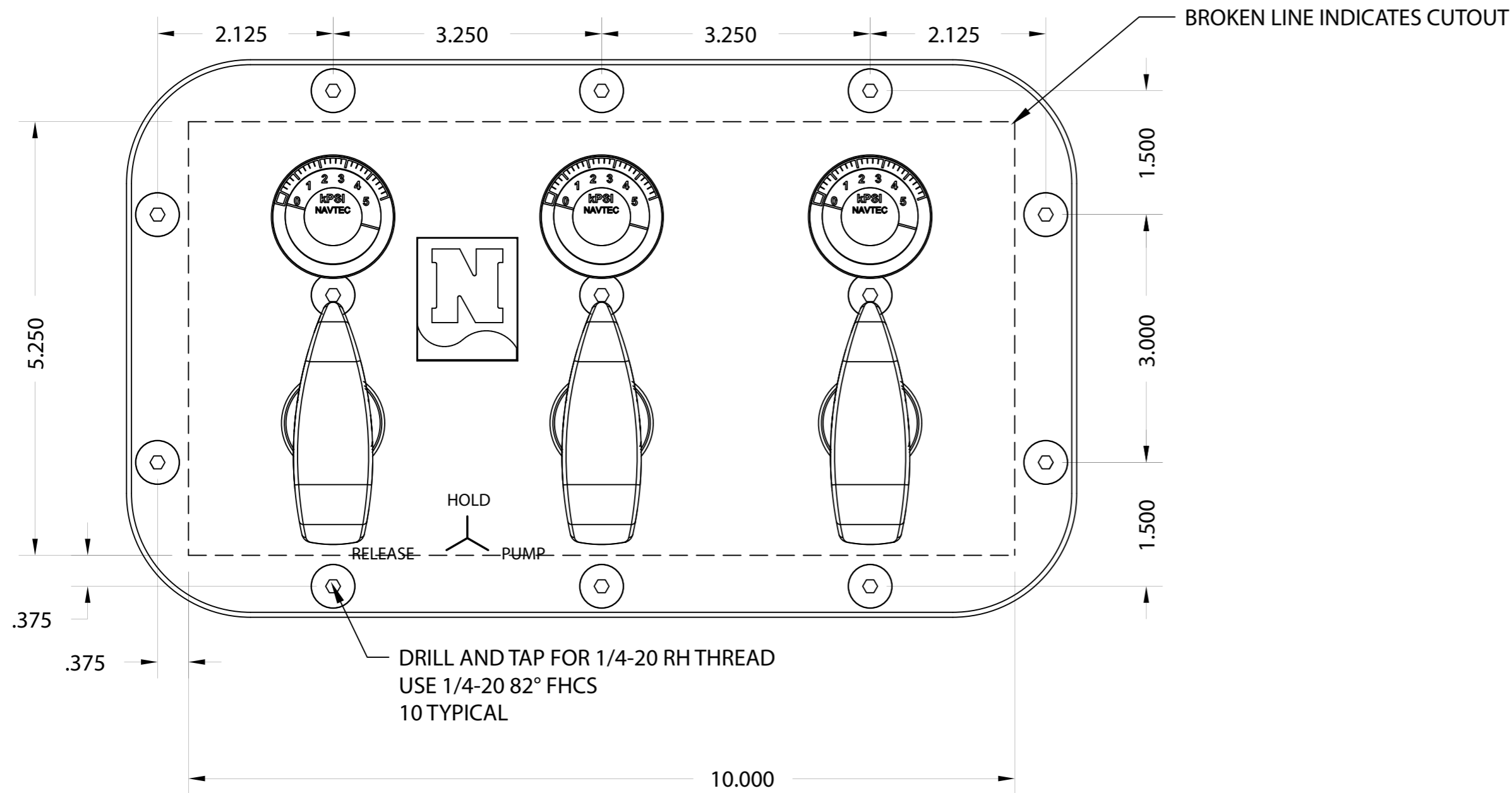
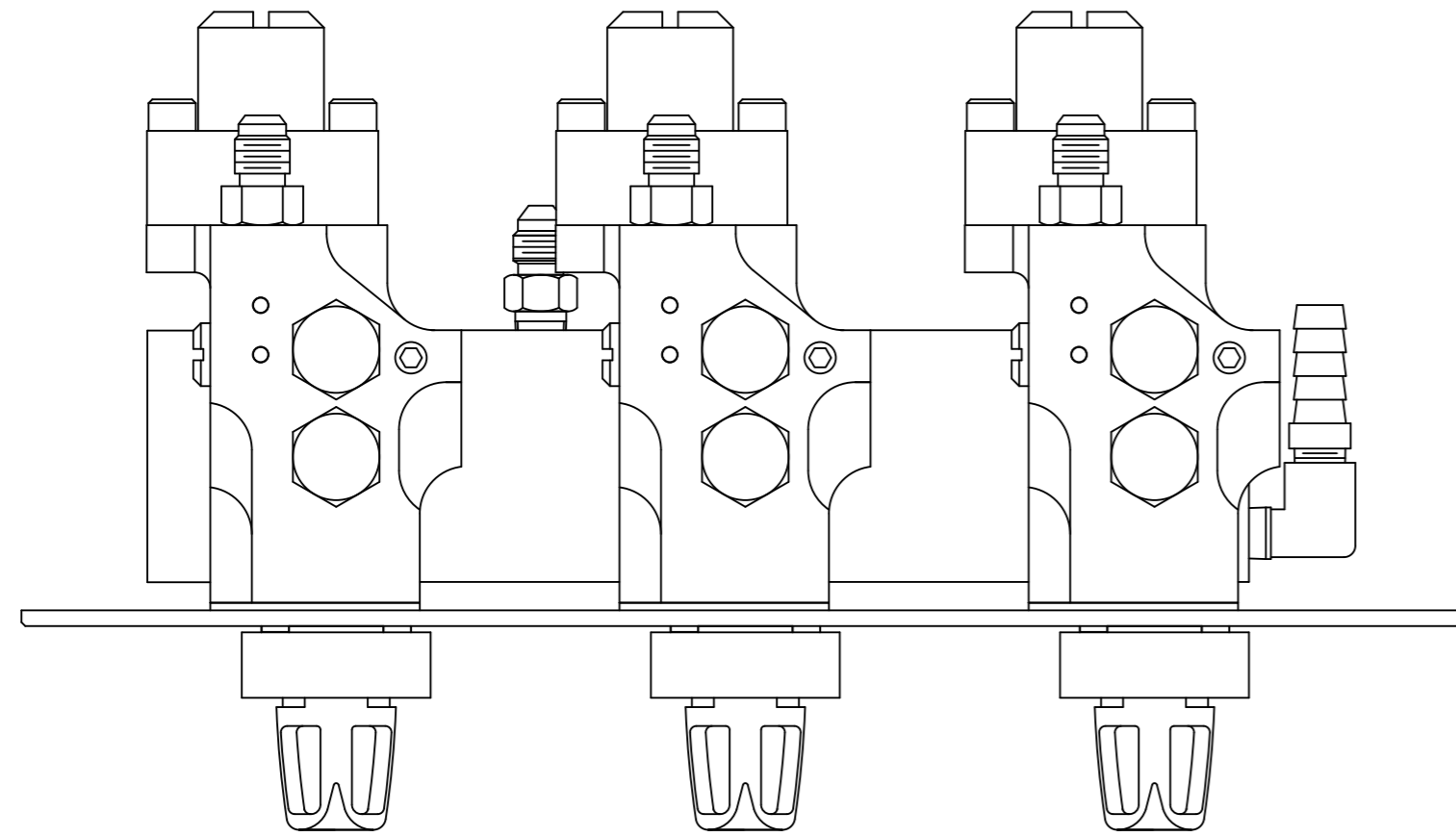


TOLERANCES:
 0.XX = ±0.010
 0.XXX = ±0.005
 FRACTIONS = ±1/64
 ANGLES = ±1/2°

REVISIONS				CHK
DATE	INIT.	#	ECO	INIT.



SYSTEM VIII PANEL ASSY
 3 F, NO PUMP, INS



04/29/04

SCALE: B 1:2

DRAWN BY: SMM

ENG: SMM CHK:

SHEET: 2 OF 2

X:\PVA\A380-VGM-03

A380-VGM-03

B-ENG

Any designs or drawings produced by Navtec Inc. and transmitted to a second party are the property of Navtec Inc. and are to be considered confidential and are to be used only for the purpose for which they were transmitted.