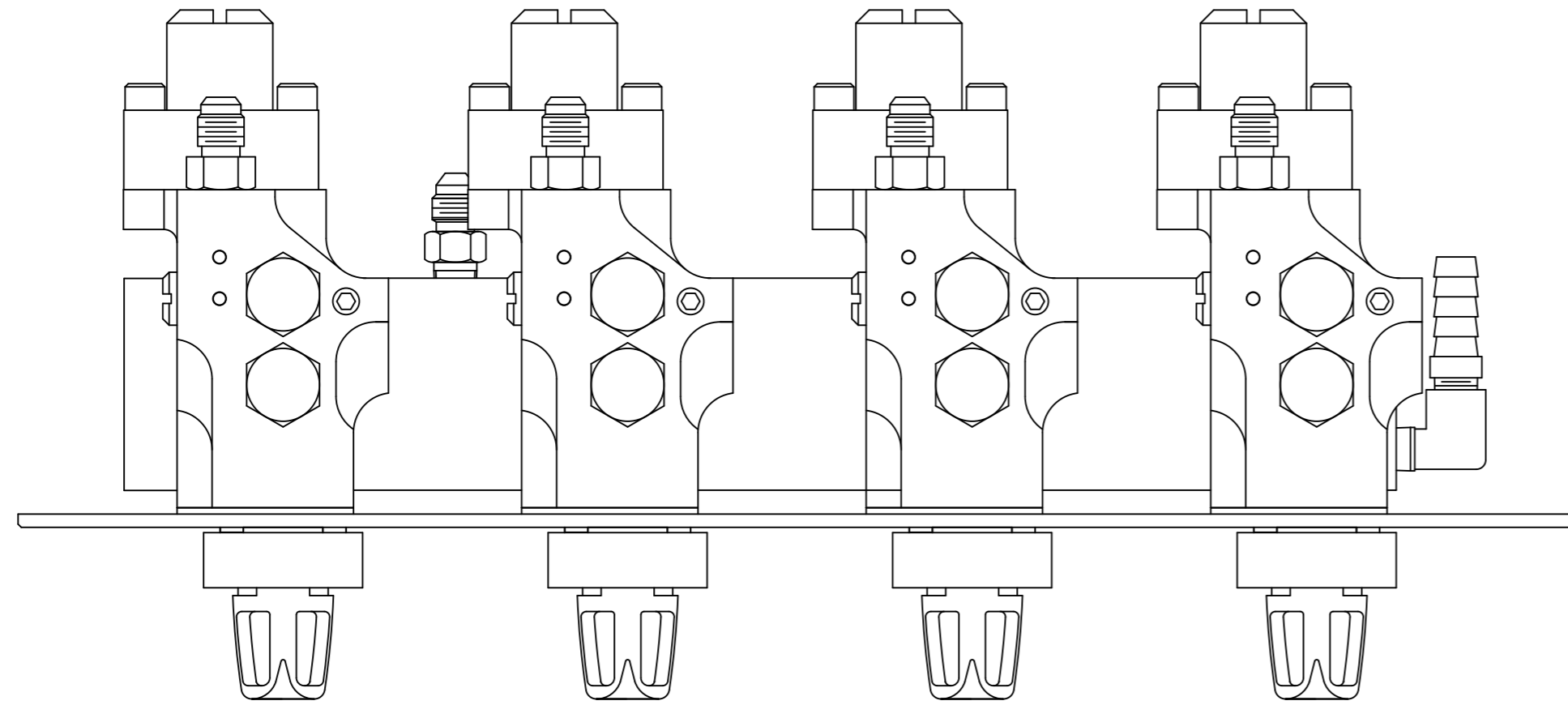
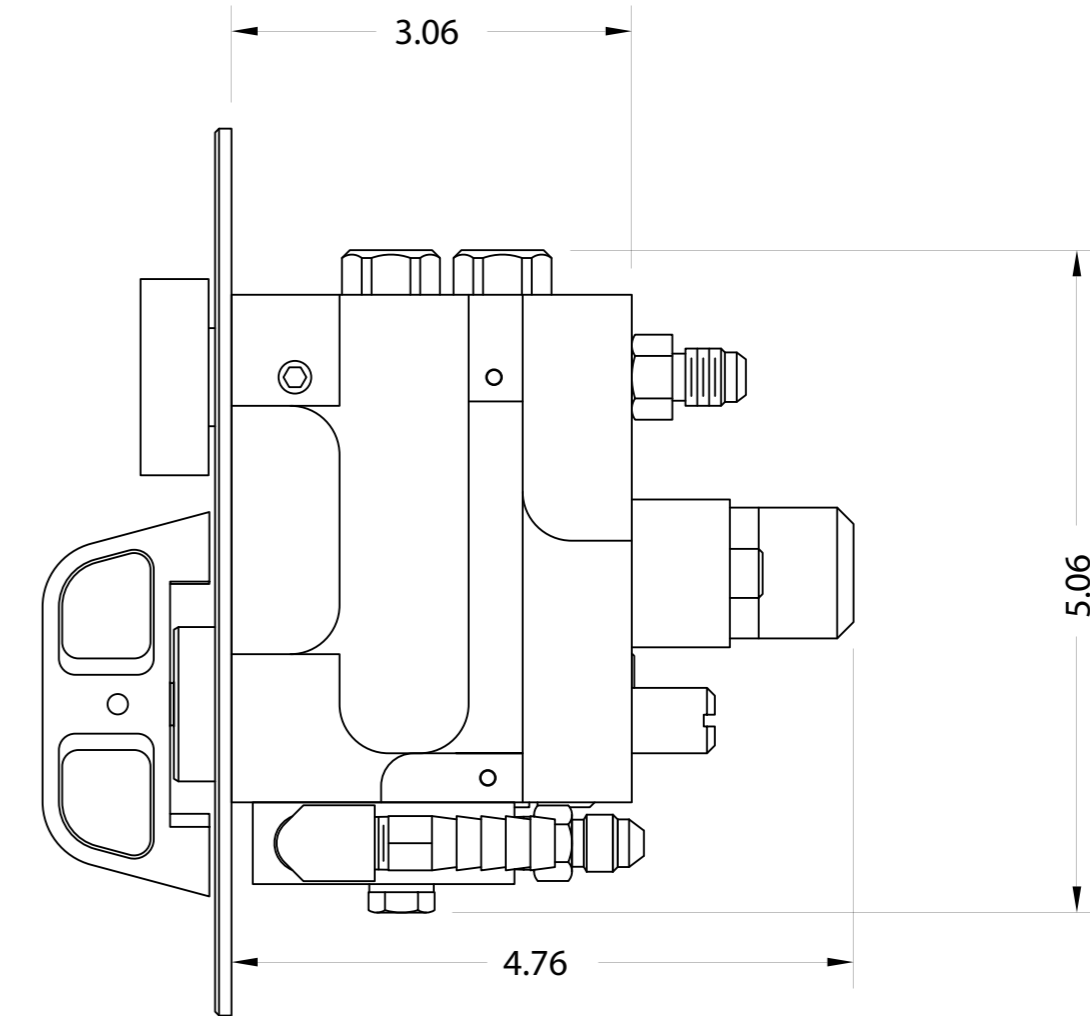
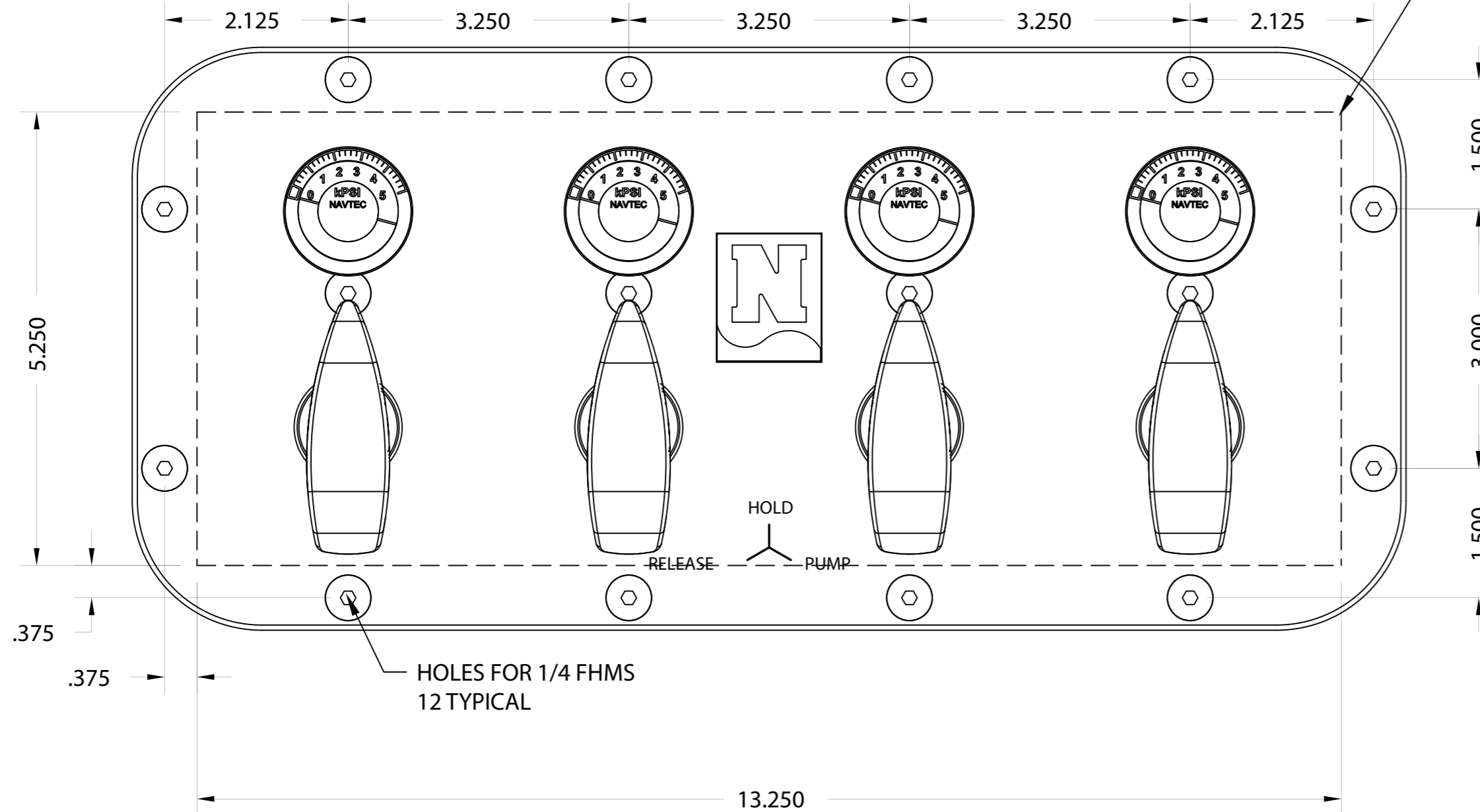


TOLERANCES:  
 0.XX = ±0.010  
 0.XXX = ±0.005  
 FRACTIONS = ±1/64  
 ANGLES = ±1/2°

REVISIONS				CHK
DATE	INIT.	#	ECO	INIT.



BROKEN LINE INDICATES CUTOUT



SYSTEM VIII PANEL ASSY  
 4 F, NO PUMP, INS



06/10/04

SCALE: B 1:2

DRAWN BY: SMM

ENG: SMM CHK:

SHEET: 2 OF 2

X:\PVA\A380-VGM-04

A380-VGM-04

B-ENG

Any designs or drawings produced by Navtec Inc. and transmitted to a second party are the property of Navtec Inc. and are to be considered confidential and are to be used only for the purpose for which they were transmitted.